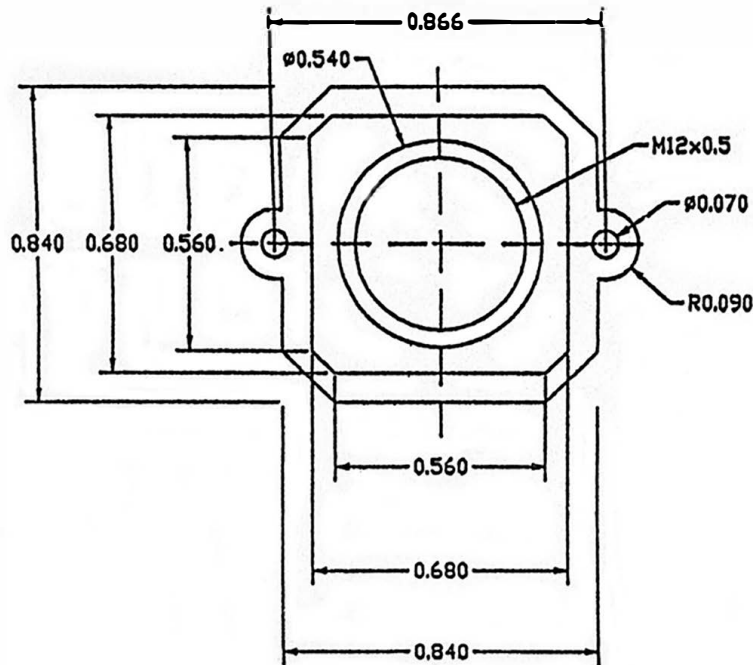
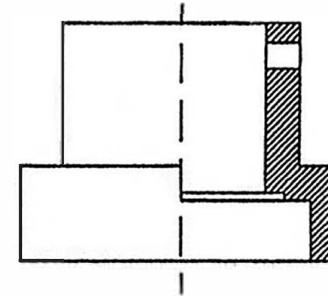
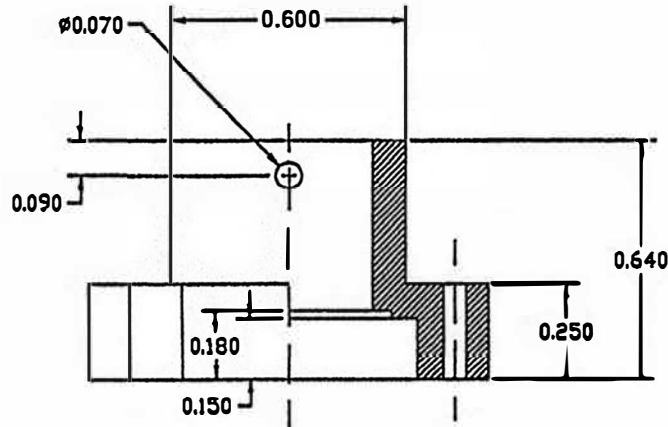


Marshall Electronics, Inc.
 1910 East Maple Avenue
 El Segundo, CA 90245

INFORMATION ON THIS DOCUMENT IS PROPRIETARY AND SHALL NOT BE USED,
 COPIED, REPRODUCED, OR DISCLOSED IN WHOLE OR IN PART WITHOUT WRITTEN CONSENT.

LH-4



LENS HOLDER
 TO BE MADE FROM
 GLASS FILLED
 PLASTIC

INDEX	ITEM	DESCRIPTION
1	UNIT	INCHES
2	TOLERANCES (UNLESS STATED)	+/- 0.010 INCHES

FINAL REVISION. 12.31.96
 LH-4-00