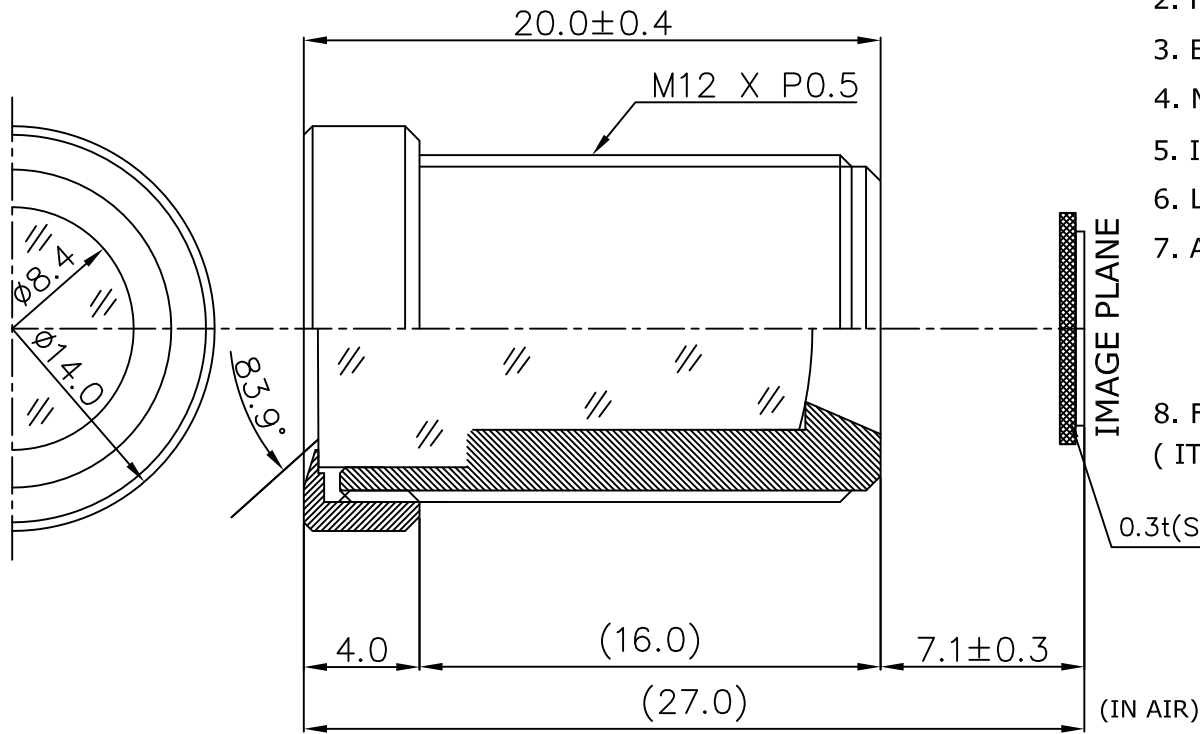


5.0 MM (FT TYPE)



1. SENSING AREA : OV2715[Omnivision 2MP 1/2.7"CMOS]
IMX122[SONY 1/2.9"CMOS]
2. FOCAL LENGTH : 5.0MM ± 5%
3. BACK FOCAL LENGTH : 9.4MM ± 5%(IN AIR)
4. MAXIMUM RELATIVE APERTURE : 2.0 ± 5%
5. IRIS : FIXED
6. LENS CONSTRUCTION : 5 COMPONENTS 5 ELEMENTS
7. ANGULAR FIELD OF VIEW :

	OV2715	IMX122
DIAGONAL	83.9°	79.2°
HORIZONTAL	71.4°	65.4°
VERTICAL	38.2°	39.8°
8. FUNCTION : IR- Correction Lens
(IT IS CHANGEABLE ON EXTERNAL DIMENSION
BY CUSTOMER'S REQUIREMENT.)

0.3t(Sensor Cover Glass)

(IN AIR)

			TOLERANCES	Designed	Title	f=5.0MM Fno 2.0 2 Mega-Pixel IR-CORRECTION Lens	
			ANGLE 1°/2	Checked			
			.X ± 0.2	Approved			
			.XX ± 0.05				
A4	Scale	N/S		Dwg No.	DATE	2013.06.13	REVISION NO. -00