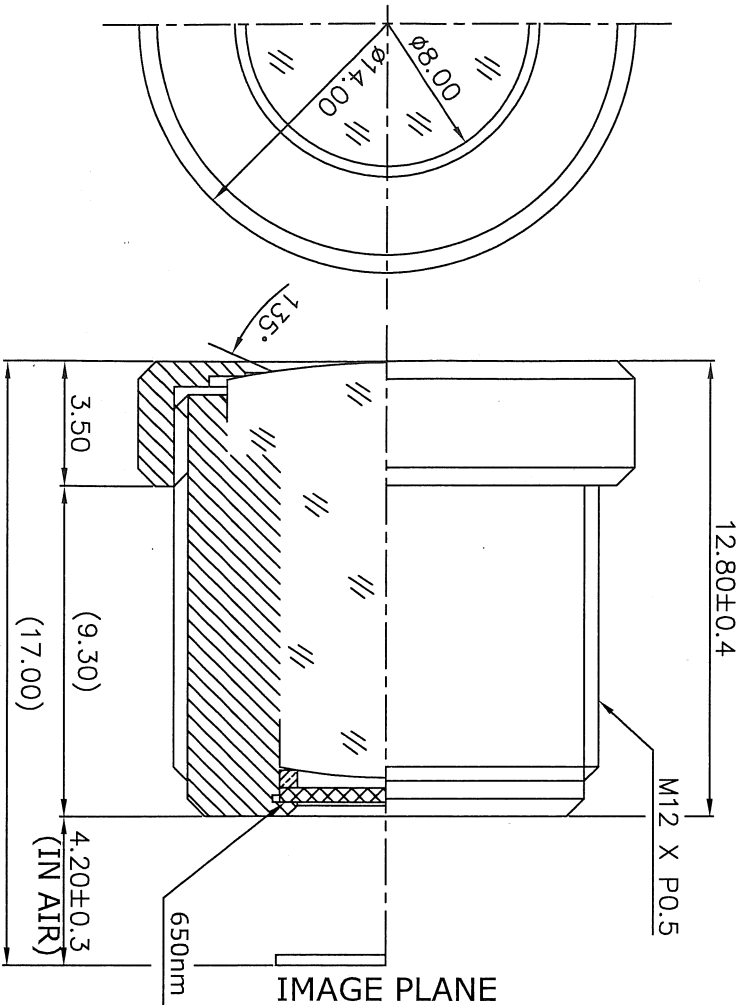


3.1MM (FT TYPE)



1. SENSING AREA : OV4689(Omnivision 1/2.9" CMOS)
6.176mm(D) x 5.376mm(H) x 3.04mm(V)
 2. FOCAL LENGTH : 3.1MM ± 5%
 3. BACK FOCAL LENGTH : 5.0MM ± 5% (IN AIR)
 4. MAXIMUM RELATIVE APERTURE : 2.0 ± 5%
 5. IRIS : FIXED
 6. LENS CONSTRUCTION : 5 COMPONENTS 5 ELEMENTS
 7. ANGULAR FIELD OF VIEW : DIAGONAL 135.0°
HORIZONTAL 109.6°
VERTICAL 57.7°
- (IT IS CHANGEABLE ON EXTERNAL DIMENSION
BY CUSTOMER'S REQUIREMENT.)

TOLERANCES		Designed	Title		
ANGLE 1°/2	X. ± 0.2	Checked	f=3.1MM Fno 2.0 Mega-pixel Lens		
X. ± 0.1	Approved				
XX ± 0.05					
A4	Scale	N/S	Dwg No.	DATE	REVISION NO.
				2015.07.07	-00