

HARDWARE OVERVIEW



- 1 Power Indicator
- 2 Controller Input
- 3 Connection refresh
- 4 Output Connection
- 5 RS232 / RS422 Selector
- 6 Firmware Service Port
- 7 DC Power Connection

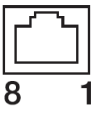
RS7-HR CONNECTION

The RS7-HR can be set on a desk top or you can use the included 1RU rack ears to install a rack. Please note the following:

- Before connecting your equipment please select RS232 or RS422 on the back of the unit
- Connect your controller to the Input connection on the front of the RS7-HR using a Cat 5/6 cable
- On the back of the RS7-HR connect your Cat 5/6 cables from the RS7-HR to each camera (you may need optional CV620-CABLE-07 Adapters for RS232)
- You will now connect power to the RS7-HR, you will see a red indicator light appear on the front of the unit, now you will push the refresh button once
- If you disconnect a camera or add a camera you will need to push the refresh button again

RS232 / RS422 Pin Instructions

RS7-HR

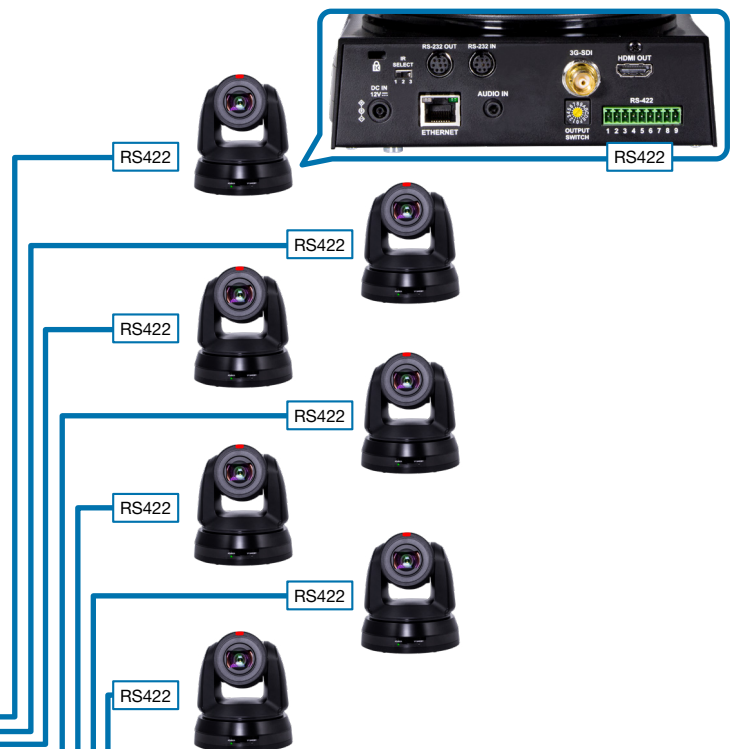


Input and Output Pin Instructions			
Pin No.	RS-232	RS422	Wire Color
1	-	TX-	Orange/White
2	-	TX+	Orange
3	GND	GND	Green/White
4	-	-	Blue
5	-	-	Blue/White
6	GND	GND	Green
7	TXD	RX-	Brown/White
8	RXD	RX+	Brown

VS-PTC-IP



Cat 6



VS-PTC-IP



RS7-HR



Cat 6

CV620-
CABLE-07



RS232



RS232



RS232



RS232



RS232



RS232



RS232



CV620-
CABLE-07