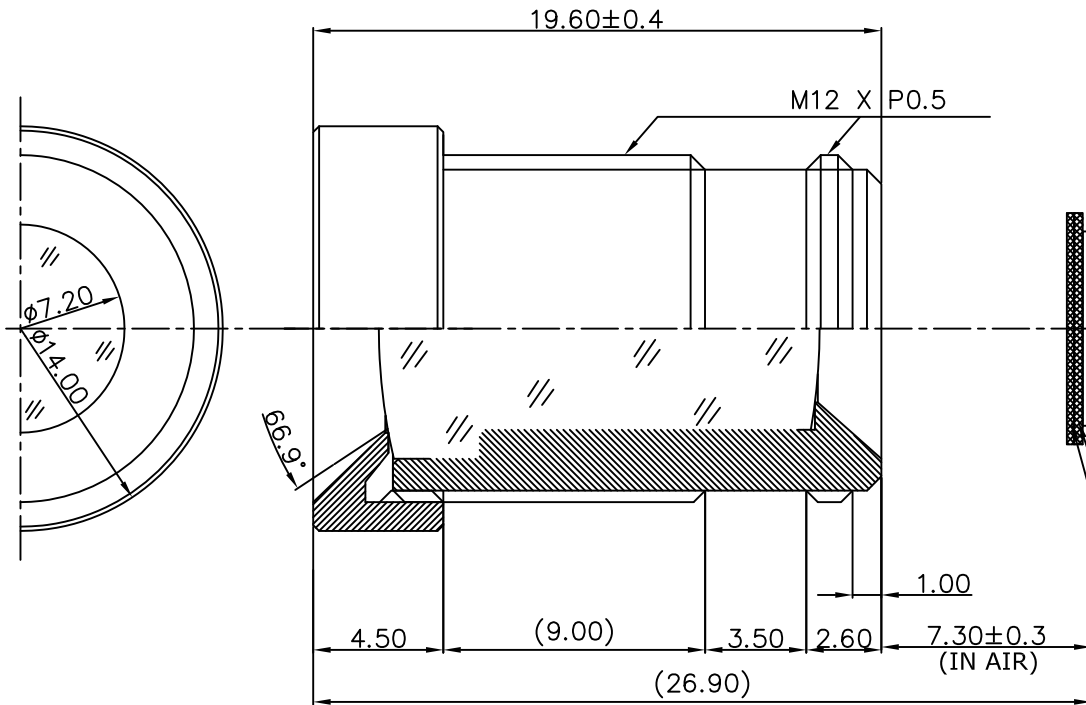


6.0 MM (K TYPE)



1. SENSING AREA : OV2715[Omnivision 2MP 1/2.7"CMOS]
IMX122[SONY 1/2.9"CMOS]
2. FOCAL LENGTH : 6.0MM ± 5%
3. BACK FOCAL LENGTH : 9.4MM ± 5%(IN AIR)
4. MAXIMUM RELATIVE APERTURE : 2.0 ± 5%
5. IRIS : FIXED
6. LENS CONSTRUCTION : 5 COMPONENTS 5 ELEMENTS
7. ANGULAR FIELD OF VIEW :

	OV2715	IMX122
DIAGONAL	66.9°	63.6°
HORIZONTAL	57.8°	53.3°
VERTICAL	31.8°	33.1°
8. FUNCTION : IR-Correction Lens
(IT IS CHANGEABLE ON EXTERNAL DIMENSION
BY CUSTOMER'S REQUIREMENT.)

IMAGE PLANE

0.3t(Sensor Cover Glass)

0.25t(IR-CUT Filter + Dummy Filter Change)

A4	Scale	N/S	TOLERANCES	Designed	Title	f=6.0MM Fno 2.0 2 Mega-Pixel IR-CORRECTION Lens	
			ANGLE 1°/2	Checked			
			.X ± 0.2	Approved			
			.XX ± 0.1				
			.XX ± 0.05	Dwg No.	DATE	2014.06.12	REVISION NO. -01